

# ePhoto CL18™

## User's Guide



# Trademarks

Agfa and the Agfa rhombus are trademarks of Agfa-Gevaert AG.

ePhoto CL18, AGFAnet and PhotoGenie are registered trademarks of Agfa-Gevaert N.V.

Corel is a registered trademark and Corel Print Office 2000, Corel Photo House and Corel Print Office are trademarks of Corel Corporation.

Microsoft, Windows, Internet Explorer and NetMeeting are registered trademarks of Microsoft Corporation in the United States of America and in other countries.

Videolmpression is a trademark of ArcSoft Inc.

Other products or company names are trademarks or registered trademarks of their respective holders.

Copyright © 2000 Agfa-Gevaert N.V.

All rights reserved.

All software and hardware described in this document are subject to change without any notice.

## Regulation Compliance

### FCC Information Test

FCC Warning: This equipment meets the limits for a Class B digital device, pursuant to Part 15 of FCC Rules. Only the power pack and cable supplied with the camera should be used. Operation with other power packs and cables is likely to result in interference to radio and TV reception and could void the user's authorization to operate this equipment.

This device complies with Part 15 of the FCC Rules. Operation is subject to the following two conditions:

1. This device may not cause harmful interference.
2. This device must accept any interference received, including interference that may cause undesired operation.

Changes or modifications not expressly approved by the manufacturer may void the user's authority to operate this equipment.

The limits for a Class B digital device, pursuant to Part 15 of the FCC Rules, are designed to provide reasonable protection against harmful interference in a residential installation. This equipment generates, uses and can radiate radio frequency energy and, if not installed and used in accordance with the instructions, may cause harmful interference to radio communications. However, there is no guarantee that interference will not occur in a particular installation. If this equipment does cause harmful interference to radio or television reception, which can be determined by switching the equipment off and on, the user is encouraged to try to correct the interference by one or more of the following measures:

- Reorient or relocate the receiving antenna.
- Increase the separation between the equipment and receiver.
- Connect the equipment into an outlet on a circuit different from that to which the receiver is connected.

## **Canadian Radio Interference Regulations Statement**

This Class B digital device meets all the requirements of the Canadian Interference-Causing Equipment Regulations.

Cet appareil numérique de la Classe B respecte toutes les exigences du Règlement sur le matériel brouilleur du Canada.

## **CE Declaration of conformity according to ISO/IEC Guide 22 and EN 45014**

This equipment complies with the requirements of the Low Voltage Directive 73/23/ECC, 93/68/ECC standards: EN 60950: 1995/A3.

This equipment complies with the requirements of the EMC Directive 89/336/ECC

Standards: EN 50081-1-EN55022 class B

EN 50082-1-EN61000-4-2, EN61000-4-3, EN61000-4-4

# Warranty

Agfa warrants this product to be free from defects of material and workmanship for one (1) year from the date of purchase. During the warranty period, Agfa will repair or replace, at its option, the product at no charge to the customer. The replacement unit may be a re-manufactured unit or a unit of equal or greater functionality. After one (1) year, Customer shall pay for all parts, labor and service.

Agfa warrants that software products will conform to published specifications in effect at the time of delivery for 90 days after purchase. Customer acknowledges that the Software may have inherent defects because of its complexity. The warranty applies only to the media on which the software is recorded.

If a unit is replaced during the warranty period, the original warranty shall remain in effect until the end of the one (1) year period or shall be 30 days, whichever is longer.

This warranty is transferable with new owner notification to Agfa.

This warranty shall not apply if the customer:

- Abuses or modifies Product or Software.
- Operates the system in an environment with excessive dirt, moisture, chemical fumes, extremes of temperature or other improper conditions. The camera is not impermeable to water, dust or sand.
- Supplies other Software or Interfacing.

Warranty service is excluded if the serial number of the product has been tampered with or removed.

---

**Caution:** The parties agree that all other warranties, express or implied, including warranties of fitness for a particular purpose, merchantability and non-infringement, are excluded.

---

## Registering your Camera

Visit <http://support.agfa.com/homeOffice> to register and to create an Agfa e-Service account.

- To create an Agfa e-Service account and to register your ePhoto camera, click Register Product.
- If you already have an Agfa e-Service account, click Update Account.

# Safety Information

- To reduce the risk of electric shock, do not expose the camera to rain or moisture and do not disassemble the camera. Refer all servicing to qualified service personnel.
- Avoid using the camera in excessively cold or warm conditions. Allow the camera to adapt to sudden changes of temperature.
- Do not place this camera in damp or dusty location. This may cause a fire or electric shock.
- Remove the batteries if the camera will not be used for extended period of time. The batteries may leak and cause a fire, injury or soiling of the battery compartment. If the batteries leak, clean and wipe the battery compartment carefully and install new batteries. Wash your hands carefully if you touch the battery fluid.
- The use of unsuitable batteries may result in the batteries splitting or leaking or causing a fire, injury or soiling of the battery compartment.
- Do not try to charge the alkaline battery. This may cause the battery to split, leak, causing fire or injury.
- Only use the batteries specified for this camera. The use of other power sources may cause fire.

# Care and Maintenance

- Avoid leaving the camera in the sun or in a very warm location (beach, car, etc.) for prolonged periods.
- Do not wrap the camera in cloth or plastic while it is on (heat and moisture may be trapped and damage the camera).
- Avoid using the camera in excessively cold (below 0°C/32°F) or excessively warm (above 40°C/104°F) conditions.
- When you bring the camera from a cold to a warm location, allow the camera to reach room temperature before you use it.
- If condensation develops inside the camera, stop using it immediately. Leave the camera at room temperature for a few hours to allow the condensation to evaporate.

- To clean the camera lens or LCD, blow away any surface dust or dirt. Then breathe on the surface to form a mist and gently wipe it with a soft, lint-free cloth or lens cleaning tissue.
- To avoid scratching the lens, use a gentle, circular motion when wiping.
- Never use harsh or abrasive cleaners on the outside surfaces of the camera. Wipe off dust with a clean, dry cloth.

# Contents

<b>Introduction .....</b>	<b>8</b>
<b>Chapter 1: Getting to Know your Camera.....</b>	<b>9</b>
Taking a Closer Look.....	9
Power Sources .....	12
Camera Controls.....	14
Operating Modes .....	15
<b>Chapter 2: Recording a Still Image .....</b>	<b>16</b>
Recording an Image.....	16
Activating Automatic Flash and/or Selftimer.....	17
Setting the Image Quality.....	17
Deleting the Last Image Taken.....	18
Deleting All Images at a Time .....	18
<b>Chapter 3: Transferring Images to your PC .....</b>	<b>19</b>
Installing the Software Needed.....	19
Connecting the Camera to your PC .....	19
Transferring Still Images to your PC.....	20
<b>Chapter 4: Displaying Images on your TV .....</b>	<b>21</b>
Adapting the TV Standard (PAL/NTSC).....	21
Displaying Images on TV .....	21
Deleting a Specific Image.....	22
<b>Chapter 5: Using the ePhoto CL18 for Video Applications .....</b>	<b>23</b>
Videoconferencing with MS NetMeeting.....	23
Capturing Video Images with VideoImpression.....	24
<b>Appendix A: Troubleshooting and Support .....</b>	<b>25</b>
Troubleshooting .....	25
Support.....	25
<b>Appendix B: Camera Specifications.....</b>	<b>27</b>

# Introduction

The Agfa ePhoto CL18 digital camera can handle still images as well as video images. The following tables give you an overview of its applications:

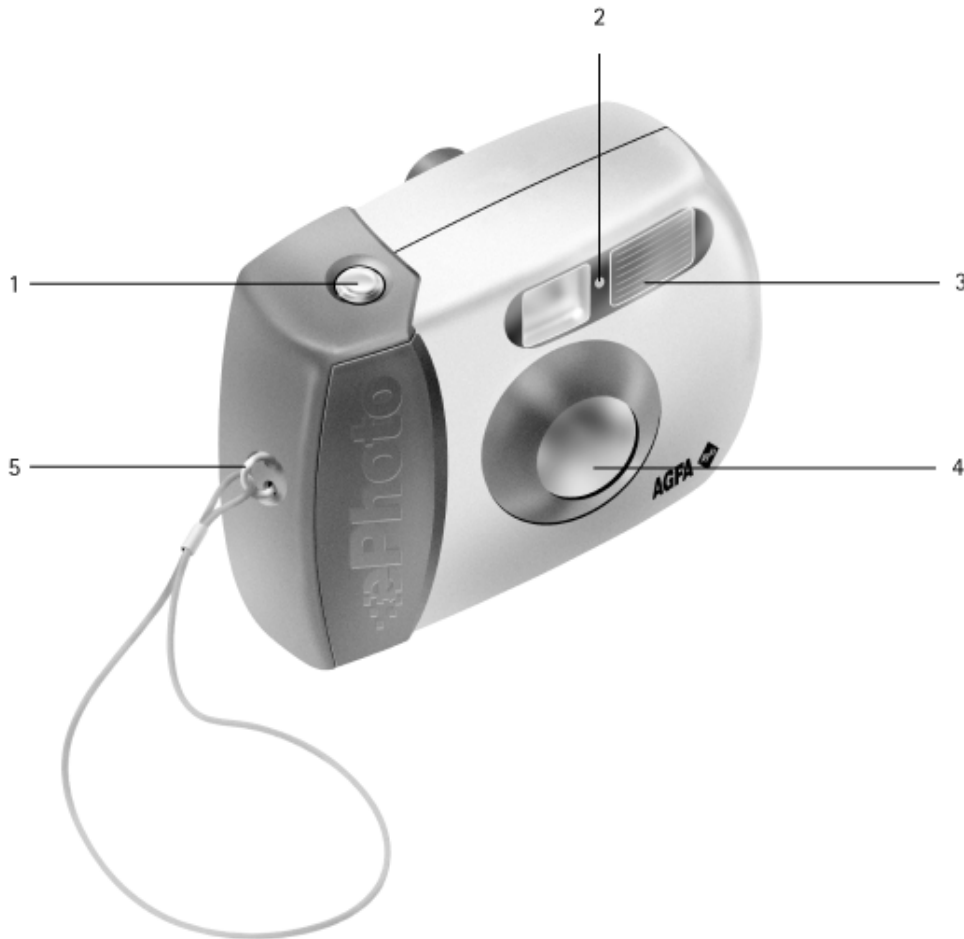
Still images	Video Images over USB
<p><b>Recording still images (p. 14)</b></p> <ul style="list-style-type: none"><li>■ at VGA 640 x 480 pixel resolution</li><li>■ in High or Standard quality</li><li>■ 16 up to 32 images storage in an internal 2 MB camera memory</li><li>■ with built-in flash and self-timer functionality</li></ul>	<p><b>Videoconferencing (p. 21)</b></p> <ul style="list-style-type: none"><li>■ using the USB interface at 100KB/s on your PC (this requires Windows® 98)</li><li>■ USB powered (no batteries needed)</li><li>■ with videoconferencing software</li></ul>
<p><b>Deleting still images (p. 16)</b></p> <ul style="list-style-type: none"><li>■ to delete images</li><li>■ to clear the camera memory</li></ul>	<p><b>Capturing video images (p. 22)</b></p> <ul style="list-style-type: none"><li>■ using the USB interface at 100KB/s on your PC (this requires Windows® 98)</li><li>■ USB powered (no batteries needed)</li><li>■ with video capture software</li></ul>
<p><b>Transferring still images to your PC (p. 17)</b></p> <ul style="list-style-type: none"><li>■ fast image download with the USB interface at 100KB/s on your PC (this requires Windows® 98)</li><li>■ USB powered (no batteries needed)</li><li>■ with bundled image editing software (to print images, use them on the Web, in e-mails, multimedia, ...)</li></ul>	
<p><b>Displaying still images that are stored in your camera on TV (p. 19)</b></p>	

❖ Note: To read more on your Agfa ePhoto camera, visit: <http://www.agfa.com>

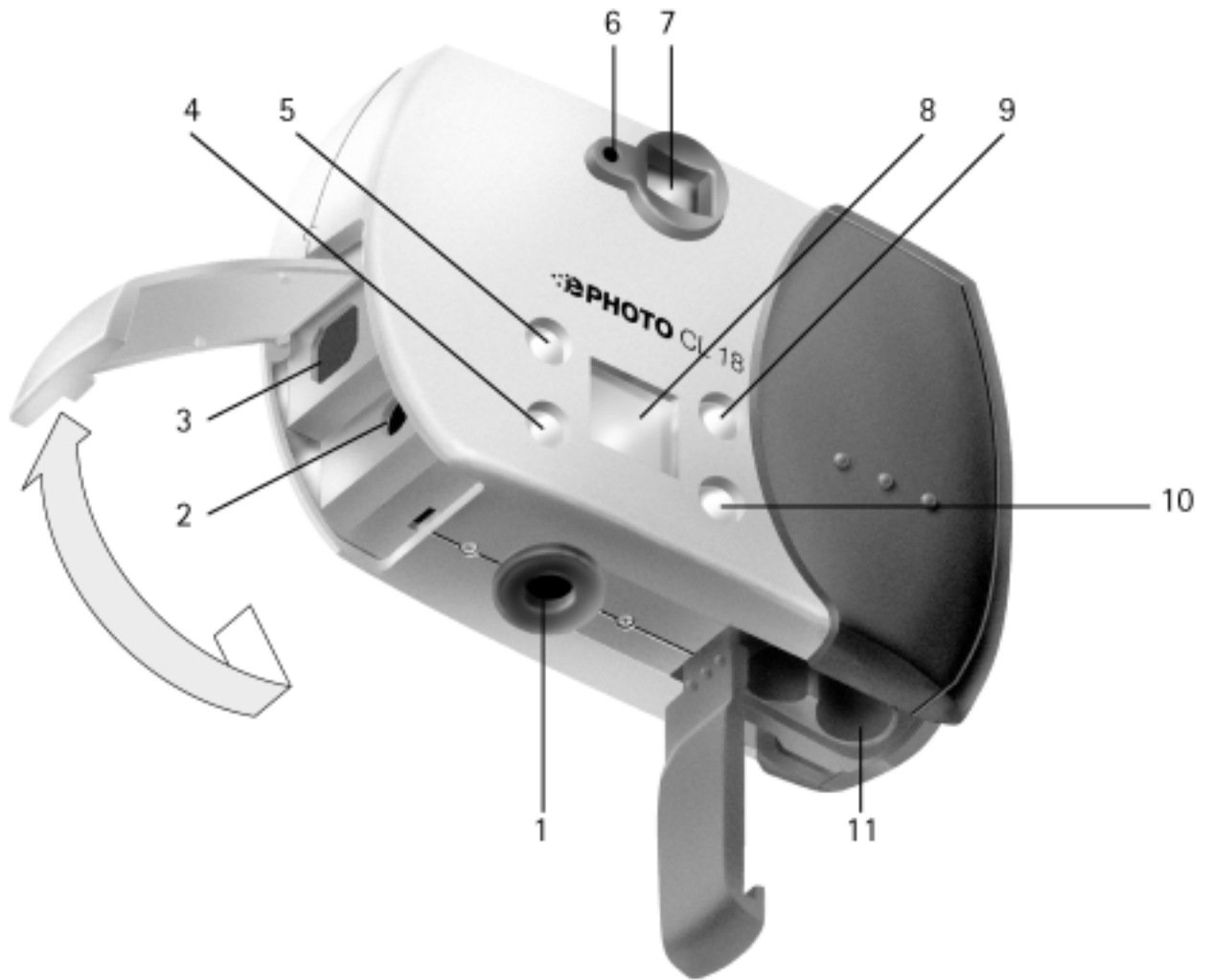


# Chapter 1: Getting to Know your Camera

## Taking a Closer Look



- 1. Shutter Button**  
To record an image in Record mode or to delete an image in Play mode.
- 2. Timer Indicator / Light Sensor**  
A blinking red light indicates that the selftimer is activated.
- 3. Built-in Flash**  
To light dark scenes.
- 4. Lens**  
f= 50 cm (20 inch) to infinity
- 5. Strap Holder**  
To attach the strap to your camera.



1. **Tripod Mount**  
To mount the camera on a tripod or cradle.
2. **Video Port**  
To connect your camera with a video cable to the video port of your television set or VCR.
3. **USB Port (🔌)**  
To connect your camera with a USB cable to your computer to download still images and capture video images.
4. **Flash-Timer / Previous Button**  
To set the flash options with or without activating the selftimer (in Record mode).  
To select the previous image to delete or preview (in Play mode).  
  
❖ Note: Press this button for 4 seconds to set the **TV standard**.

5. **Quality / Next Button**  
To set the quality of the image (in Record mode).  
To select the next image to delete or preview (in Play mode).
6. **Green Action Indicator**  
A steady green light indicates that the camera is ready. The Green Action Indicator blinks when the camera starts up, processes an image or when the flash is charging.
7. **Viewfinder**  
To frame images.
8. **Display**  
To see the settings of the active mode.
9. **On / Off Button**  
To switch the camera on or off.
10. **Rec/Play Button**  
To switch between Record and Play mode.
11. **Battery Compartment**  
To insert 2 AA batteries.

# Power Sources

Your ePhoto CL18 has two possible power sources:

- batteries
- USB power

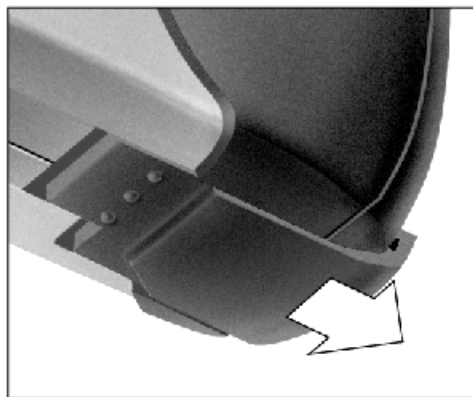
## Batteries

### Inserting Batteries

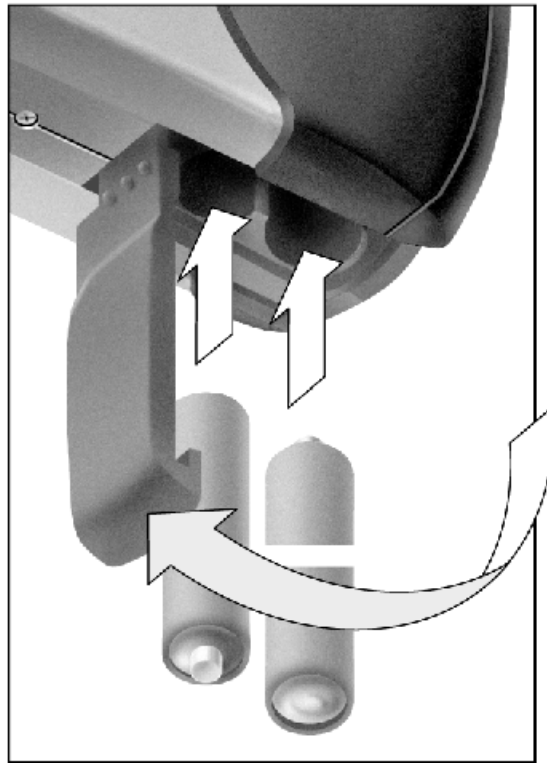
Your ePhoto CL18 camera comes with 2 AA Alkaline batteries.

❖ Note: You can also use NiMH, NiCd or Lithium batteries.

1. Unlock the battery compartment door.



- Slide the door of the battery compartment in the direction of the arrow.



Insert 2 appropriate batteries. See to it that the pole-marks on the batteries (+ and -) correspond to those on the battery compartment.

- Slide the battery compartment door back into place.

### Battery Status

The Display always indicates the status of the battery. Segments disappear as power is used.



A flashing Empty icon indicates that the batteries are empty.

- ❖ Note: With a full battery pack you can view or work with images in Play mode for approximately 30 minutes or record an average number of 50 images in Record mode.

## Battery Care

- If you are not going to use your camera for an extended period of time, remove the batteries to prevent leaks or corrosion.
- Before replacing the batteries, switch the camera OFF.
- Use only size AA Alkaline, NiMH (with a minimum capacity of 1200 mAh), NiCd or Lithium batteries.
- Do not use batteries that show signs of leakage, corrosion or swelling. Do not use batteries that are excessively warm.
- If necessary, clean battery contacts with a dry cloth before installation.
- Always replace all batteries with two identical, new (or fully charged) ones.
- Dispose used batteries in a manner that complies with applicable laws.

## USB Power

The moment you connect your camera to a PC (with the supplied USB cable), it is powered by the PC (and does not use battery power).

- ❖ Note: If the camera is USB-powered the flash is disabled.

# Camera Controls

## On/Off Button

### Switching On the Camera

- Press the On/Off button.  
You hear a beep, the green action indicator blinks and the settings appear on the display.

### Automatic Power Off Function

The camera is equipped with an automatic power off function. It switches off automatically after one minute of inactivity.

To re-activate the camera:

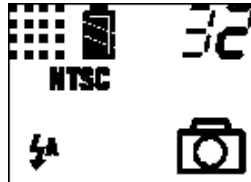
- Press the On/Off button.

## Switching Off the Camera

- Press the On/Off button.  
You hear a beep, the green action indicator and display are dimmed.

## Status Display

The Display shows the camera settings you selected by means of icons.



Example of Display information:

The Display gives you information on:


- the image quality (high or standard)
- the status of the batteries (full, nearly empty, empty)
- the number of images that still can be recorded (in Record mode)  
-or-  
the number of the image (in Play mode)
- the set TV standard (NTSC or PAL)
- the flash setting (activated or not)
- the selftimer setting (activated or not)
- the mode you are in (Play, Record)

## Operating Modes


The ePhoto CL18 camera operates in 2 modes:

- Record mode: to record images
- Play Mode: to display or delete images

## Record Mode

- Press the Record/Play button to select Record mode (  ). When you switch on the camera it is activated in Record mode by default.  
On the Display you see the number of images that still can be taken.

## Play Mode

- Press the Record/Play button to select Play mode (  ).  
On the Display you see the sequence number of the last image.  
In Play mode you can also delete images.

# Chapter 2: Recording a Still Image

## Recording an Image

- ❖ Note: Do not forget to insert batteries as described in Inserting Batteries.
1. Press the On/Off button to switch on your camera.  
You hear a beep.  
Wait until the green action indicator stops blinking indicating the camera is ready to record an image.
  2. Select your settings (see Activating Automatic Flash and/or Selftimer and Setting the Image Quality).
  3. Frame the image you want to record using the viewfinder.
  4. Press the Shutter button and hold your camera steady until you hear a beep and the green action indicator starts blinking.  
The action indicator blinks until the image is stored in the camera's memory. The moment the action indicator stops blinking you can record another image.

### Tips to Record Images

- When recording; hold your camera steady until you hear a beep and the green action indicator starts to blink.
- As all digital cameras the ePhoto CL18 records with a shutter latency. After pressing the Shutter button, hold the camera steady until you hear a beep and the LED starts to blink. Keep in mind the shutter latency when recording moving objects.
- Never touch the lens with your fingers. If necessary, clean the lens with a lens brush or soft cloth.
- Keep in mind that the focal range of the ePhoto CL18 is 50 cm (20 inch) to infinity. Objects closer by will be unsharp.
- Keep in mind that the flash range of the ePhoto CL18 is 1-2 meter (3 -6 ft). Objects closer by, will be overexposed when recorded with flash.
- Do not record an image in the direction of the sun or other light sources.









- ❑ Do not switch off the camera while it is processing a recorded image. If you do so the image will not be stored.
- ❑ Checking the Battery Status. When the Battery Status is 'Nearly empty', replace the batteries. Nearly empty batteries disable the flash function.

## Activating Automatic Flash and/or Selftimer

- Press the Flash-Timer button in Record mode to change the combined flash and selftimer option.
- ❖ Note: When you activated the automatic flash, the flashlight will go off if the scene you want to record is too dark. In this case the flash will load before you can press the Shutter button.

On the display you see the icons of the option you set:

Icon	Option
	<b>Automatic Flash Off + Selftimer Off</b>
 	<b>Automatic Flash On + Selftimer On</b>
 	<b>Automatic Flash Off + Selftimer On</b>
	<b>Automatic Flash On + Selftimer Off</b>

- ❖ Note: The flash and selftimer settings are not stored when you switch off the camera.

## Setting the Image Quality

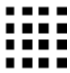

Depending on the Image Quality you can record 16 up to 32 still images in VGA 640 x 480 pixel resolution.

- ❖ Note: According to the combination of High and Standard Quality images you store in the camera's memory, the capacity varies.

To change the Image Quality:


- Press the Image Quality button in Record mode.

On the display you see the icons of the option you set:

Icon	Option
	<b>Standard Quality:</b> Standard image quality — high compression capacity: 32 images
	<b>High Quality:</b> High image quality — low compression capacity: 16 images


- ❖ Note: The image quality setting is stored when you switch off the camera.

## Deleting the Last Image Taken

1. Press the Record/Play button to switch to Play mode.  
The number that is shown on the Display corresponds with the last image taken.
2. Press the Shutter button.  
A blinking  icon appears.
3. Press the Shutter button for a second time to confirm.  
The action indicator blinks until the image is deleted.  
Press the Rec/Play button to switch back to Record mode.  
-or-  
3. Press the Rec/Play button to cancel.

## Deleting All Images at a Time

Once your camera's memory is full, you have to remove the images from the memory in order to record new images. If you want to store the images, you have to download them to the PC first.

1. Press the Record/Play button to switch to Play mode.
2. Press the Next or the Previous button until ALL appears on the Display.
3. Press the Shutter button.  
A blinking  icon appears.
4. Press the Shutter button to confirm.  
The action indicator blinks until all images are deleted.  
-or-  
Press any other button to cancel.

# Chapter 3: Transferring Images to your PC

## Installing the Software Needed

1. Insert the **Corel®** CD-ROM into the CD-ROM drive of your computer. The installation starts automatically.
2. Follow the instructions in the successive screens.
3. Insert the **ePhoto CL18 Collection** CD-ROM into the CD-ROM drive of your computer.
4. Open the DRIVERS folder on the CD-ROM and double-click the Setup file to install the ePhoto CL18 TWAIN and Video for Windows® drivers.

If you want to use the CL18 for videoconferencing (with NetMeeting®) or video capturing (with VideoImpression™):

5. Insert the **ePhoto CL18 Collection** CD-ROM into the CD-ROM drive of your computer.
6. Run the Setup file in the NetMeeting or VideoImpression folder to start the installation.
  - ❖ Note: The installer in the NetMeeting folder will also install or update your Internet Explorer if necessary.
7. Follow the instructions in the successive screens.
  - ❖ Note: To send or upload images through the internet for printing on photographic paper, use the AGFAnet client software. To install, double-click the setup file in the AGFAnet folder on the ePhoto CL18 Collection CD-ROM. To use the Agfa Internet Print Service, you need the AGFAnet client software. For more details, visit: <http://www.agfanet.com>

## Connecting the Camera to your PC

1. Press the On/Off button to switch the camera on.
2. Plug one end of the USB cable into your camera's USB port.
3. Plug the other end of the USB cable into your computer's USB port.

# Transferring Still Images to your PC

1. Choose Start/Programs/Corel Print Office/Corel Photo House to launch **Corel Photo House**.
2. Click the Load Photos tab in the Get Image section.
3. Click the Select Source button.  
The Select Source window appears.
4. Select ePhoto CL18 and click the Select button.
5. Click the Proceed link.  
The ePhoto CL18 TWAIN driver opens and thumbnails of the recorded images appear.
  - ❖ Note: When you move your cursor over a button in the TWAIN driver, a tool tip appears explaining you its functionality.
6. Select the images you want to transfer to your PC by clicking the thumbnail of the picture. To select several images use the Ctrl-key.
7. Select the Save Pictures to Disk Directory button in the TWAIN driver window.
8. Select or create a folder on your computer to store your images.
9. Click the Save button.
10. Close the TWAIN driver by clicking the Exit button in the TWAIN driver window.
11. Click the Home button.
12. To view your images in Corel Photo House, click the From Your Files button in the Get Image section.
13. Select the selected folder containing the transferred images.
14. Apply if necessary the Agfa PhotoGenie™ QuickFix autocolour filter (Select Effects/Plug-in Effects/Agfa/Agfa PhotoGenie/QuickFix).  
The QuickFix plug-in will automatically enhance the CL18 image.

# Chapter 4: Displaying Images on your TV

## Adapting the TV Standard (PAL/NTSC)

See to it that the standard you see on the display is conform the standard of your television set (see your television set's documentation).

❖ Note: By default the TV standard is set to the standard of your region.

To adapt the type of TV standard:

1. Press the On/Off button to switch on the camera.
2. Press the Rec/Play button for 4 seconds.
3. Press the Flash-Timer button to select NTSC or PAL.
4. Press the Rec/Play button to confirm your choice.

## Displaying Images on TV

To display recorded images on TV:

1. Switch off your camera.
2. Plug one end of the supplied video cable into the Video port of the camera.
3. Plug the other end of the video cable into the video port of the TV set.
4. Switch on your camera.
5. Your camera starts in Record mode.
6. Press the Rec/Play button to switch to Play mode.
7. Press the Next or the Previous button to browse through the images.

## Deleting a Specific Image

1. Press the Record/Play button to switch to Play mode.  
The number that is shown on the Display corresponds with the last image taken.
2. Connect your camera to a TV set (with the video cable) or PC.
3. Press the Next or the Previous button until the image you want to delete is displayed.
4. Press the Shutter button to delete the image.

A blinking  icon appears.

5. Press the Shutter button to confirm.  
The action indicator blinks until the image is deleted.  
-or-  
Press any other button to cancel.

❖ Note: To delete all images at a time refer to Deleting all images at a time.

# Chapter 5: Using the ePhoto CL18 for Video Applications

## Videoconferencing with MS NetMeeting

### Videoconferencing over the Internet

To use NetMeeting® 3.0 over the internet you need a modem for internet connection and Internet Explorer® 4.01.

Visit <http://www.netmeet.net/bestservers.asp> and choose an ILS server for your country and write down the address (you will need this to specify the ILS Server).

1. Connect the ePhoto CL18 to your computer with the USB cable.
2. Switch on the camera.
3. Connect to the internet.
4. Choose Start/Programs/Accessories/Communications/NetMeeting to launch MS NetMeeting.
5. Select Option from the Tools menu.
6. Specify the ILS Server address in the Directory Settings box.
7. Select the Directory option in the Call menu.
8. Choose someone to videoconference with.
9. Activate the video receive function by clicking the Play button.
10. Choose the Video Send and Receipt from the Tools menu.

### Videoconferencing over LAN

Using NetMeeting over a Local Area Network (LAN), you only need to make a new call (Call / New Call) and fill in the TCP/IP address or computer name of the person you want to videoconference with.

# Capturing Video Images with VideoImpression

1. Connect the ePhoto CL18 to your computer with USB cable.
  2. Switch on the camera.
  3. Choose Start/Programs/ArcSoft Video/VideoImpression to launch VideoImpression™:
  4. Click the New button to capture video.
  5. Select the Capture Video button (camera icon).
  6. Select the CL18 Video driver in the Driver list.
  7. Click the Record button .
  8. Press the ESC-key on your keyboard to stop.
  9. Click the Save button (floppy icon) to save your video on your computer .
- ❖ Note: Depending on your hardware configuration, you may have to select a lower resolution in order to obtain a smoother video clip. To do so, click the Format button.



# Appendix A: Troubleshooting and Support

## Troubleshooting

### The camera does not start up

- The camera is switched off. Press the On/Off button.
- The camera is automatically switched off because of one minute of inactivity. Press the On/Off button.
- The batteries are too weak. Replace them.

### The Shutter button does not work

- The camera is still recording an image.
- The flash is still charging. Check the Green Action Indicator.

### The built-in flash does not work

- The flash is off. Check the flash setting.

## Support

### For more information and support on your Agfa ePhoto CL18:

1. Visit <http://support.agfa.com/homeOffice> to **register (see p.4 )** and create an Agfa e-Service Account to benefit from:
  - personalized one-to-one on-line technical support;
  - access to customized self-help tools and technical information;
  - automatic e-mail notification of all new support tip documents;
  - the latest Agfa product news.
2. Consult the Support Documents / Solution Finder Database  
Click the **Support Documents** tab or the **Solution Finder Database** tab to consult the standard answers on various problems/questions.
3. One-to-One Support

If you do not find an answer to your problem/question in the Support Documents or in the Solution Finder Database, click **One-to-One Support** to open a personal case. Describe your problem as accurate as possible.

4. Contact the Nearest Service Office

Select the **Service Offices** tab to find the telephone number of your nearest Agfa Service Office.

5. Consult the Software Library

Select the **Software Library** tab to retrieve available TWAIN and video driver updates for your ePhoto CL18 camera.

**For more information and support on Corel Print Office 2000:**

Consult the help system or visit <http://www.corel.com>

**For more information and support on MS NetMeeting:**

Consult the help system or visit <http://www.microsoft.com/windows/netmeeting> and <http://www.netmeet.net/>

**For more information and support on VideoImpression:**

Consult the help system or visit <http://www.arcsoft.com>

# Appendix B: Camera Specifications

Parameter	Specifications
Image Sensor	CMOS sensor 640 x 480 pixels
LCD Display	Numeric LCD
Image Resolution	640 x 480 pixels
Color	24-bit (millions of colors)
Memory	2 Mb internal flash memory
Lens	50 cm (20 inch) - infinity
White Balance Auto	Automatic
Built-in Flash	Automatic, Off
Shutter Speed	1/10000 sec to 1 sec (auto)
Connectors	NTSC or PAL video output, USB
Weight	< 120 g (4.23 oz) without batteries
Dimensions	95(H) x 65 (W) x 35 mm / 3.7"(H) x 2.55"(W) x 1.37"

CL18 UG-V1.0-1E